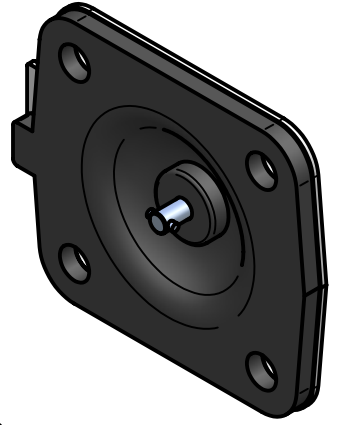
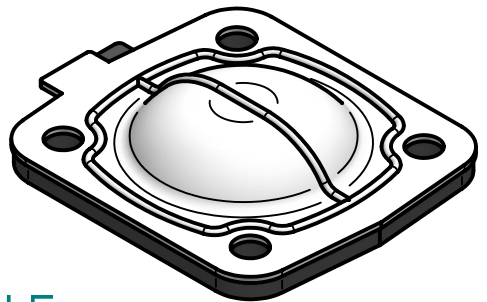



BAYONET TYPE SPIGOT

SCALE
1:2



Replacement Diaphragm for :-
OEM PART = DA040S5
USED ON 1.5" (DN40) Diaphragm Valve

REVISION HISTORY			
REV	DESCRIPTION	DATE	APPROVED

	NAME	DATE	 DIAPHRAGM DIRECT
DRAWN	M. MC KEON	02/25/15	
CHECKED			
Material - EPDM BACKING TFM - DIAPHRAGM Complies with CFR 177.2600 and Conforms to USP Class VI Biological Reactivity Tests Section #87 and #88			TITLE DD15-STFM-C
SIZE A	FOOT PRINT DIMENSIONS		REV B
SCALE: 1 : 1			ECO:0605
SHEET 1 OF 1			FILE NAME: DD15-STFM-C.dff

Disclaimer - Diaphragm Direct® does not manufacture, represent, nor sell OEM valves or diaphragms manufactured by any other company. Diaphragm Direct® brand diaphragms are not sponsored by any other manufacturers. Any name, model, part number, brand, image, material or referral is for descriptive purposes only. Diaphragm Direct® brand replacement diaphragms are guaranteed to fit OEM equipment and meet or exceed OEM specifications. Diaphragm Direct® brand replacement diaphragms are covered by the standard Diaphragm Direct® limited product warranty.